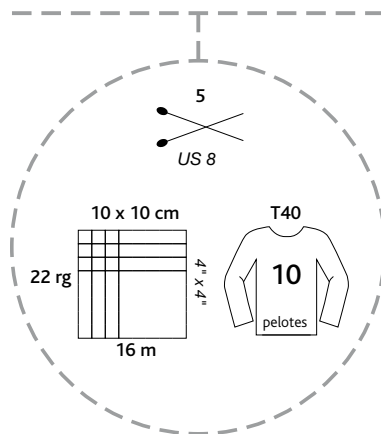


# CRISTAL

34% polyester, 32% acrylique, 25% laine  
5% mohair, 4% polyamide  
pelotes de 50 g = 110 m±  
sachets de 500 g

**34% polyester, 32% acrylic, 25% wool**  
**5% mohair, 4% polyamide**  
balls 1 3/4 oz = 120 yds±  
bags 17.6 oz

lavage main *Hand wash only*  
pas de chlore *Do not bleach*  
séchage à plat *Do not tumble dry*  
pas de repassage *No iron*



705

704

707

709

716

719

713

714

701



plassard

l a p e l o t e a t t i t u d e