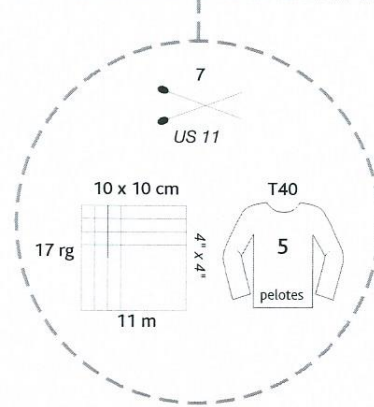


# LILY

50% acrylique, 20% polyamide  
20 polyester, 10% mohair  
pelotes de 100 g = 100 m±  
sachets de 500 g

50% acrylic, 20% polyamide, 20% polyester  
10% mohair  
balls 3½ oz = 109 yds±  
bags 17,6 oz

lavage machine *Machine wash*  
programme laine 20° *Wool program 20°*  
pas de chlore *Do not bleach*  
séchage à plat *Do not tumble dry*  
pas de repassage *Do not iron*



19

05

20

55

21



plassard